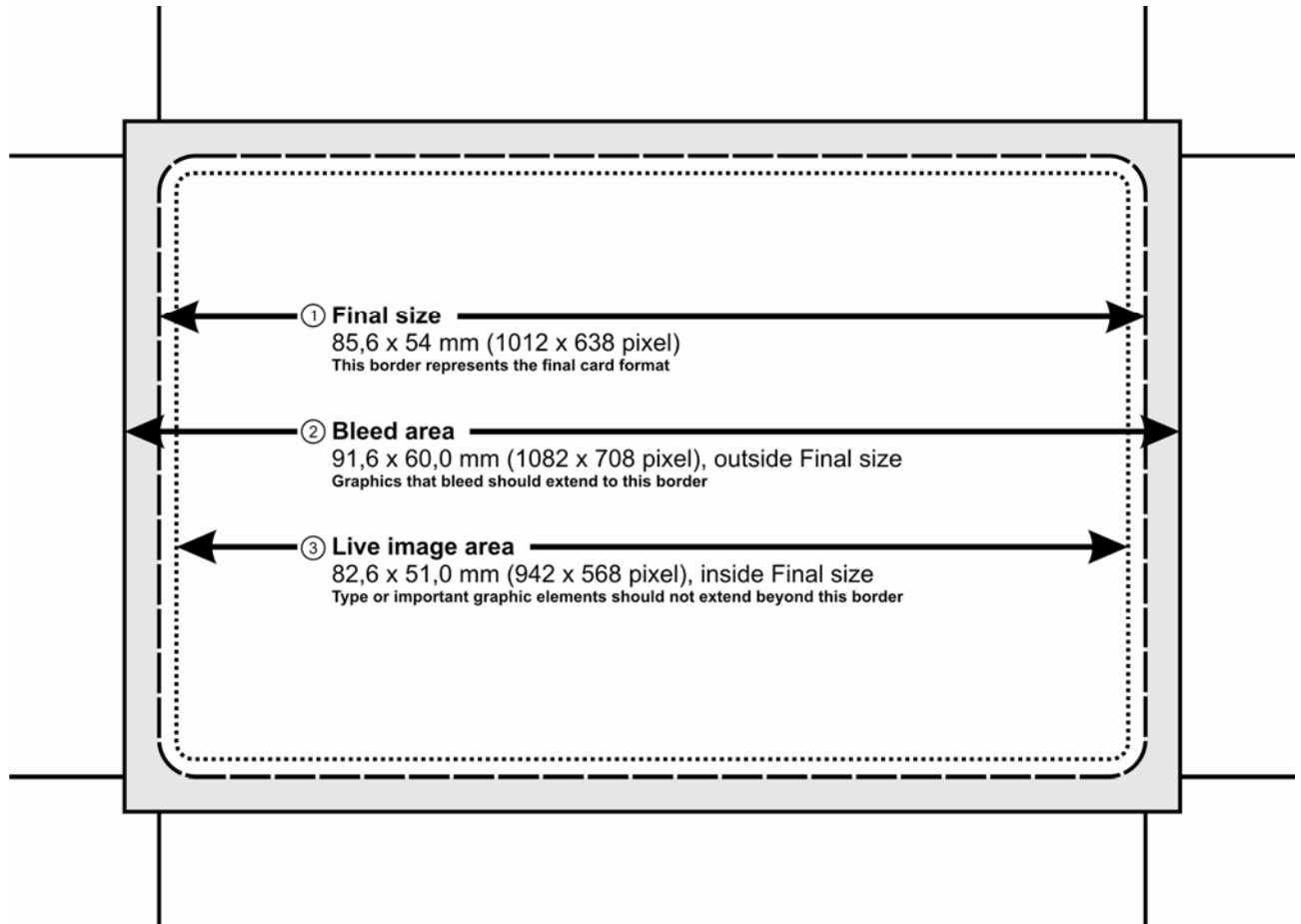


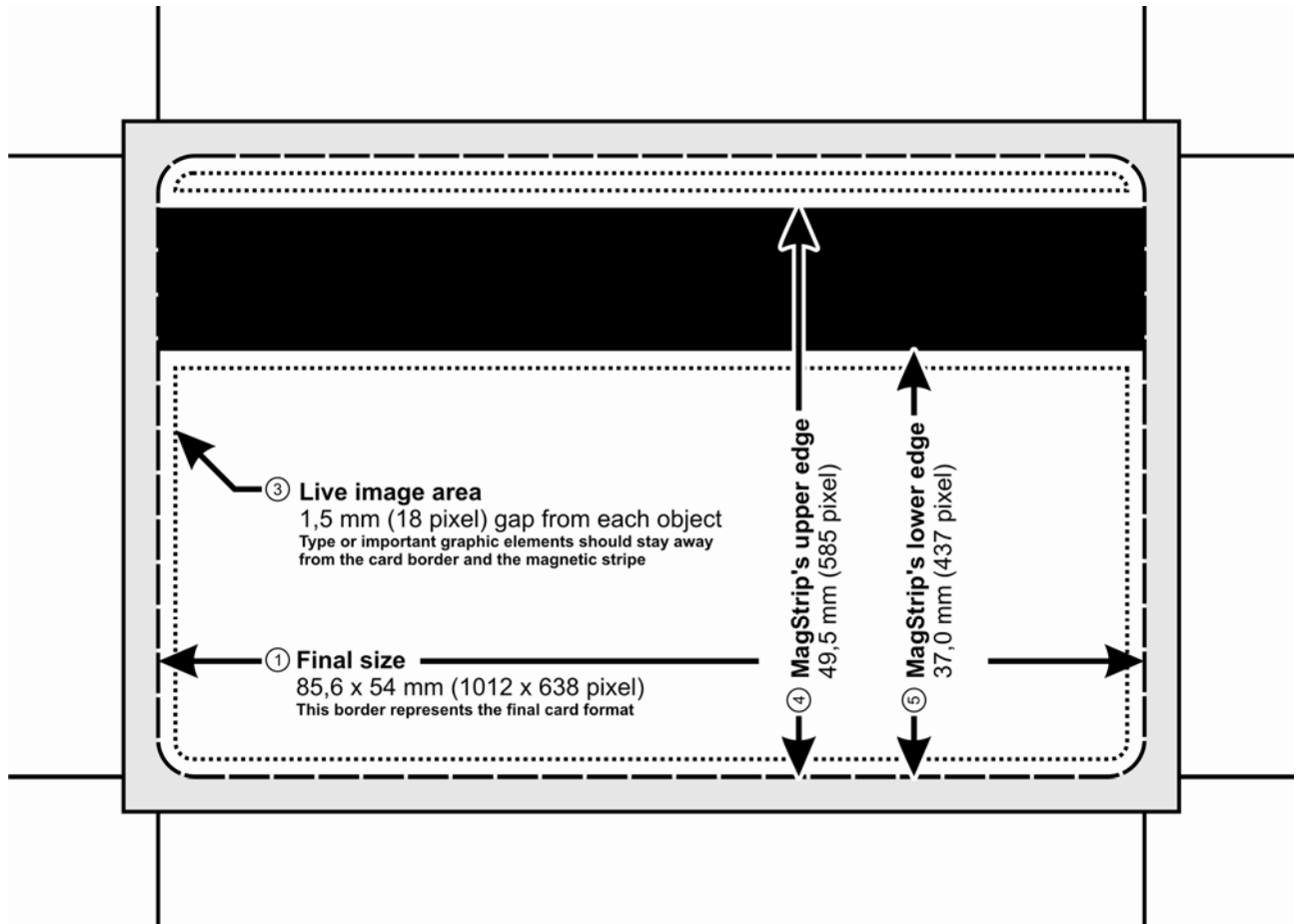
Card layout



Details:

- The graphic file must comply to format “2”
- Cutting marks as shown above can be added (option)
- The dashed line (as shown above, “1”) must not be in the graphic file
- The dotted line (as shown above, “3”) must not be in the graphic file
- The file format must be PC-readable
- The layout must be in CMYK
- Preferred file format: .cdr (CorelDraw)
- Optional file format (vector based): .eps, .ai, .pdf, ...
- Optional file format (pixel based): .tif, .gif, .jpg, .bmp, .psd, ...
- All fonts must be converted to curves. Do not embed fonts (in whole or in part)
- All transparencies must be converted to bitmaps

Magnetic stripe

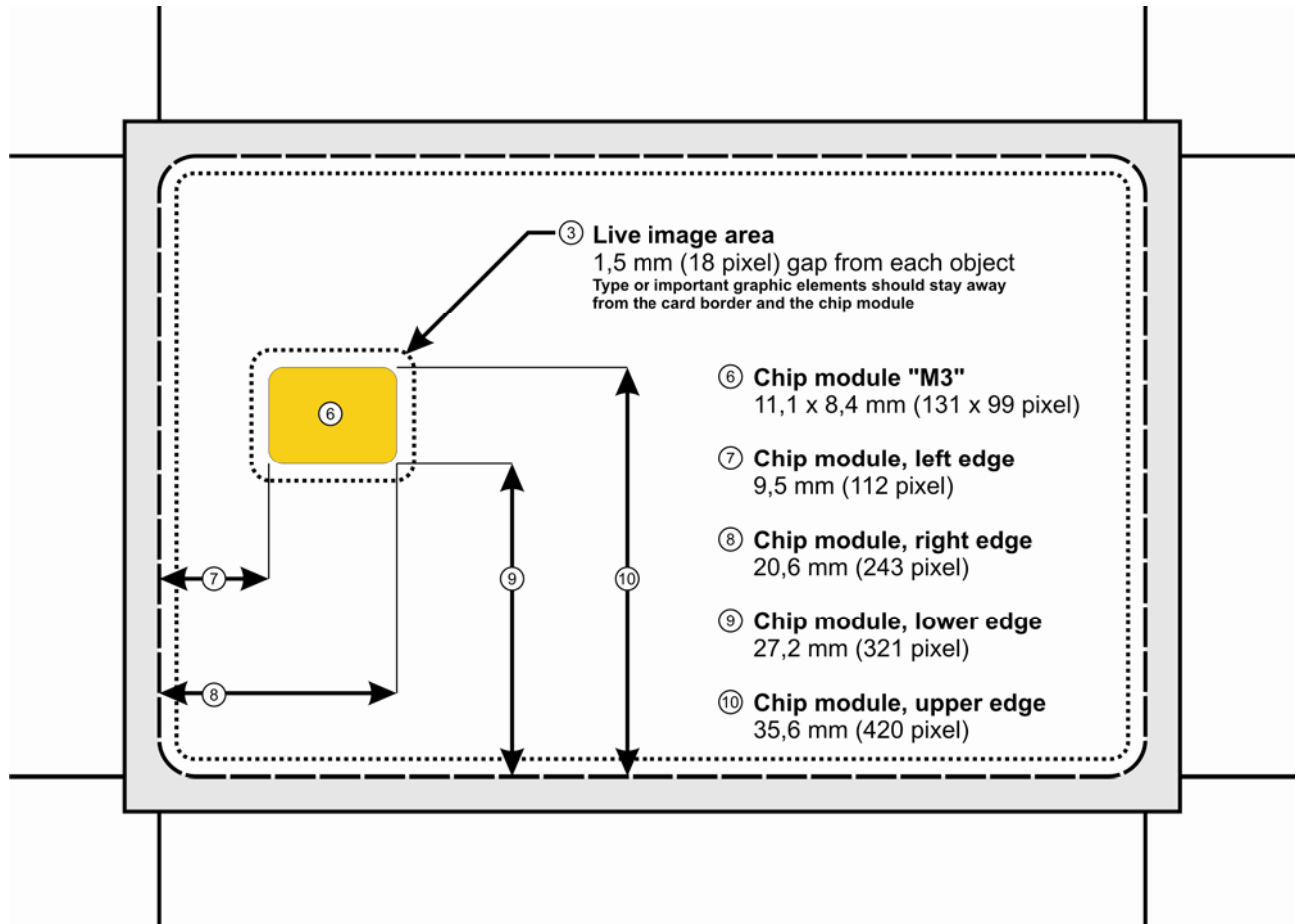


All details on page 1 „Card layout“ remain effective, plus the following...

details::

- All given dimensions on this page are based on “1” (Final size).
- The layout must continue in the magnetic stripe area:
 - The magnetic stripe itself must not be in the layout data.
 - The magnetic stripe must not be recessed in the layout data.
- „3“ (Live image area): Typo or important graphic elements keep a safety clearance of 1,5 mm / 18 pixel to all card elements (card border, magnetic stripe, ...).

Chip module “M3”

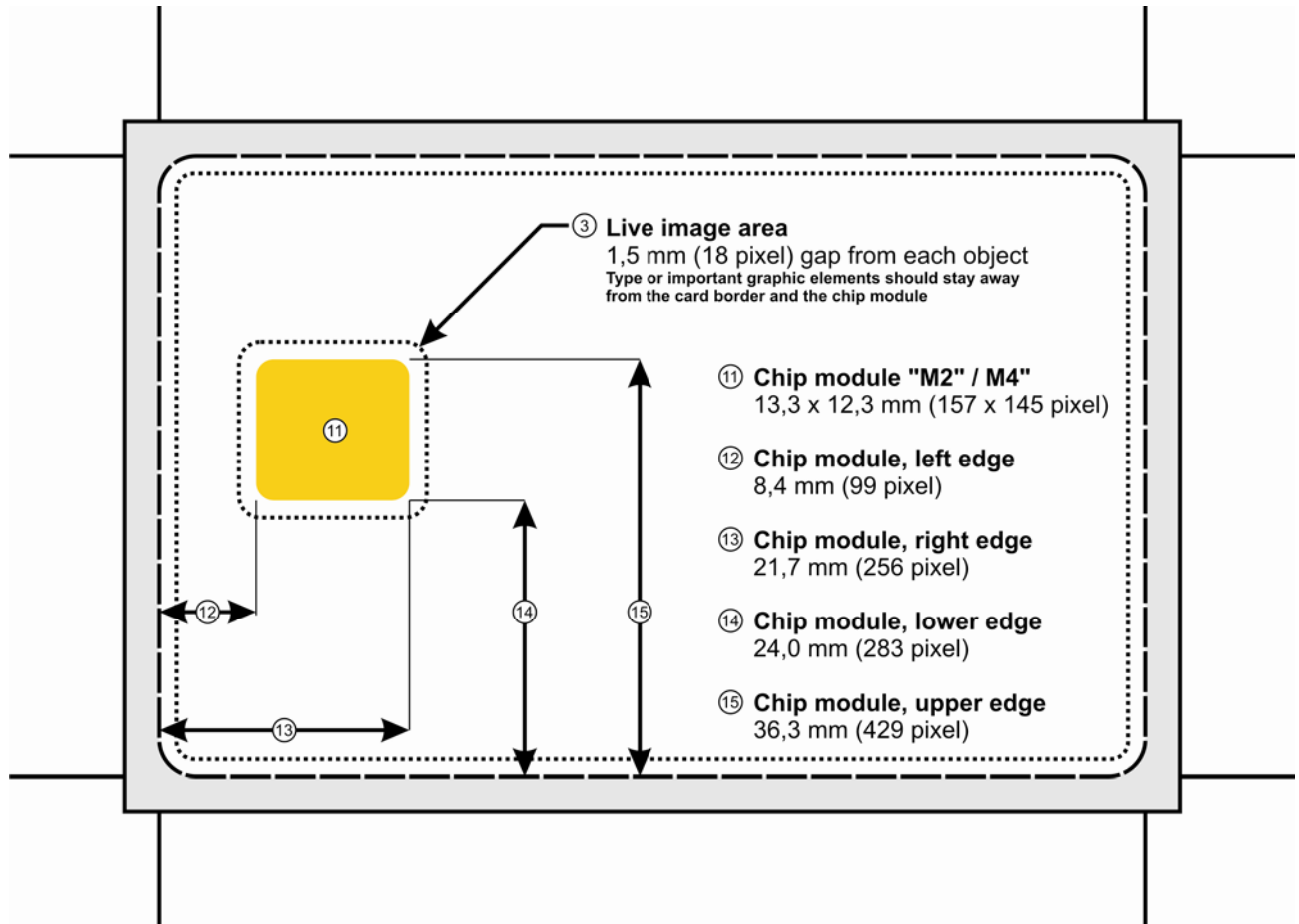


All details on page 1 „Card layout“ remain effective, plus the following...

details::

- All given dimensions on this page are based on “1” (Final size, see page 1).
- „3“ (Live image area): Typo or important graphic elements keep a safety clearance of 1,5 mm / 18 pixel to all card elements (card border, chip module, ...).

Chip module „M2“ + „M4“

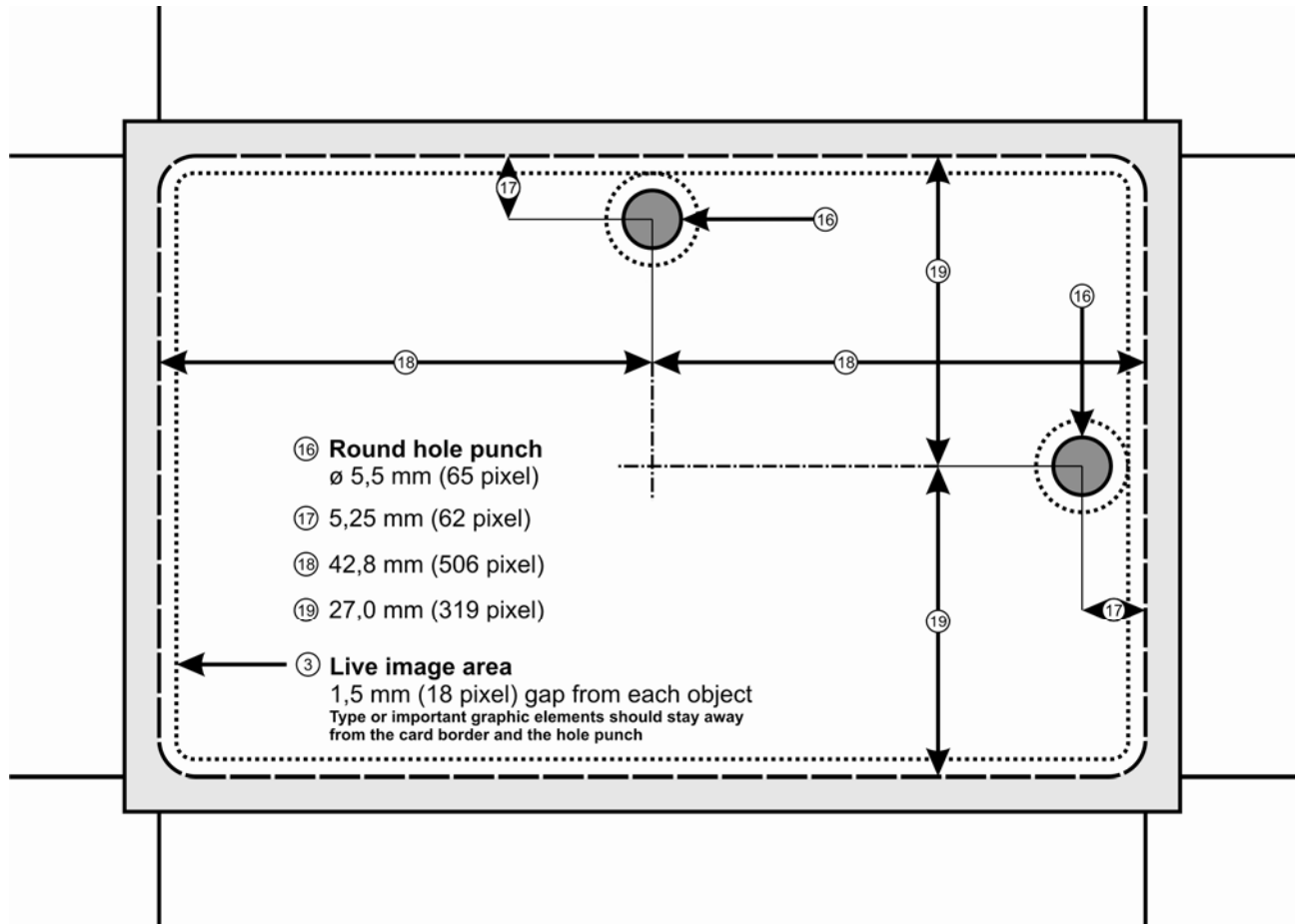


All details on page 1 „Card layout“ remain effective, plus the following...

details::

- All given dimensions on this page are based on "1" (Final size, see page 1).
- „3" (Live image area): Typo or important graphic elements keep a safety clearance of 1,5 mm / 18 pixel to all card elements (card border, chip module, ...).

Round hole punch

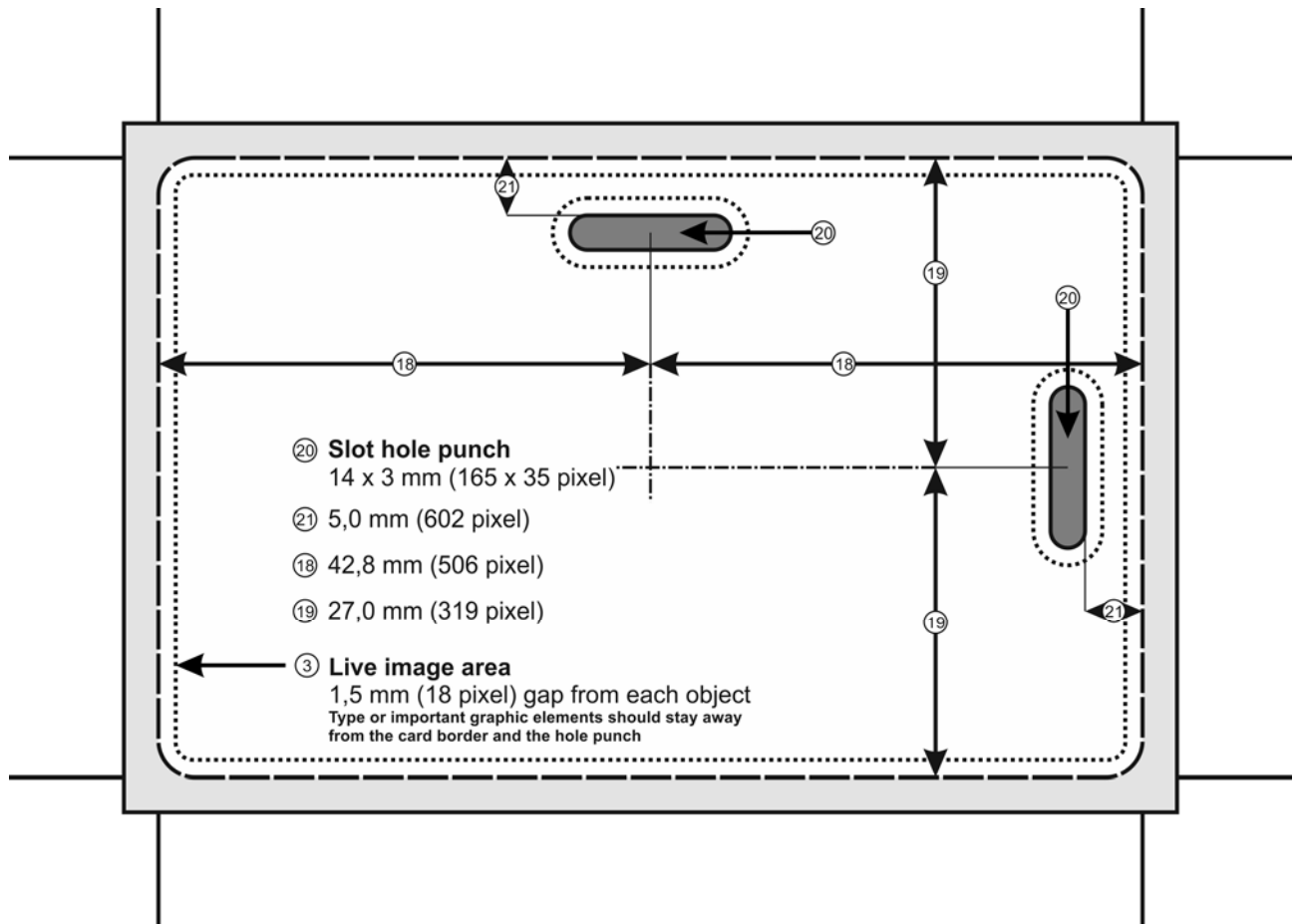


All details on page 1 „Card layout“ remain effective, plus the following...

details::

- All given dimensions on this page are based on “1” (Final size, see page 1).
- The round hole punching aligns to the cards centerlines. Either on the long card side (upper or lower card border), or on the short card side (left or right card border). Other positions on special request.
- „3“ (Live image area): Typo or important graphic elements keep a safety clearance of 1,5 mm / 18 pixel to all card elements (card border, round hole punch, ...).

Slot hole punch



All details on page 1 „Card layout“ remain effective, plus the following...

details::

- All given dimensions on this page are based on “1” (Final size, see page 1).
- The round hole punching aligns to the cards centerlines. Either on the long card side (upper or lower card border), or on the short card side (left or right card border). Other positions on special request.
- „3“ (Live image area): Typo or important graphic elements keep a safety clearance of 1,5 mm / 18 pixel to all card elements (card border, round hole punch, ...).